

Cisco Aironet 1242AG Cisco AIR-AP1242AG-A-K9 (Not AIR-LAP1242AG-A-K9)



Cisco® Aironet® 1240AG Series Access Points deliver the versatility, high capacity, security, and enterprise-class features demanded by WLAN customers. These IEEE 802.11a/b/g access points are designed specifically for challenging RF environments such as factories, warehouses, and large retail establishments that require the antenna versatility associated with connectorized antennas, a rugged metal enclosure, and a broad operating temperature range. The Cisco Aironet 1240AG Series provides local as well as inline power, including support for IEEE 802.3af Power over Ethernet (PoE).



AIR-PWR-A

Power Injector

A Cisco Aironet power injector can be configured to order, or can be ordered as a separate item (Table 5). If the power injector is configured to your order, it will ship inside the packaging box of the access point. If the power injector is ordered as a separate item, it will ship in a separate box.

The power injector does not come with a power supply. Instead, it uses the power supply from the access point. If you intend to use the power injector, be sure that the power supply will be included with your access point, either by selecting the "AIR-PWR-A" option under the "Power Supply" category, or by taking no action for that category. Do not select "AIR-NO-PWR-SUPPLY" for the "Power Supply" category.

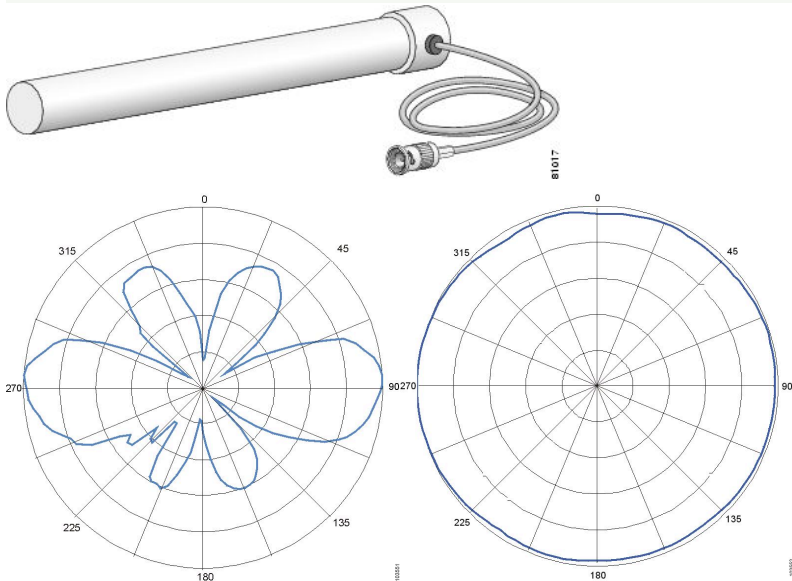
The power injector can be ordered separately. If you previously ordered the access point without a power supply, you will now need to order a spare power supply to use the power injector. INJECTOR = AIR-PWRINJ3, MEDIA CONVERTER = AIR-PWRINJ-FIBConsole Cable

The Cisco Aironet 1240AG and Aironet 1240G Series can be configured using the console port. A console cable does not ship with the access point, but can be ordered separately. BEST PLACE TO ORDER THIS IS MONOPRICE.COM.

Mounting Bracket

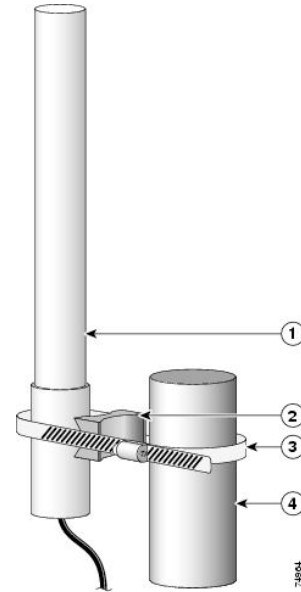
The Cisco Aironet 1240AG and Aironet 1240G Series ship with a mounting bracket and hardware.

Description: CISCO - (AIR-ANT2506) AIRONET 5.2 DBI OMNI DIRECTIONAL MAST MOUNT ANTENNA.



E AND H PLANE PATTERN

Caution For outside installations, make sure you do not mount the antenna upside down or block the bottom of the antenna at the cable exit. The correct mounting position is with the cable pointing down (towards the ground) so that any moisture will drain through the antenna drain holes. The antenna ships with a yellow mounting instruction label temporarily attached to the antenna radome.



1	Antenna	2	Mounting bracket
3	Hose clamp	4	Mast